

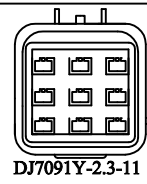
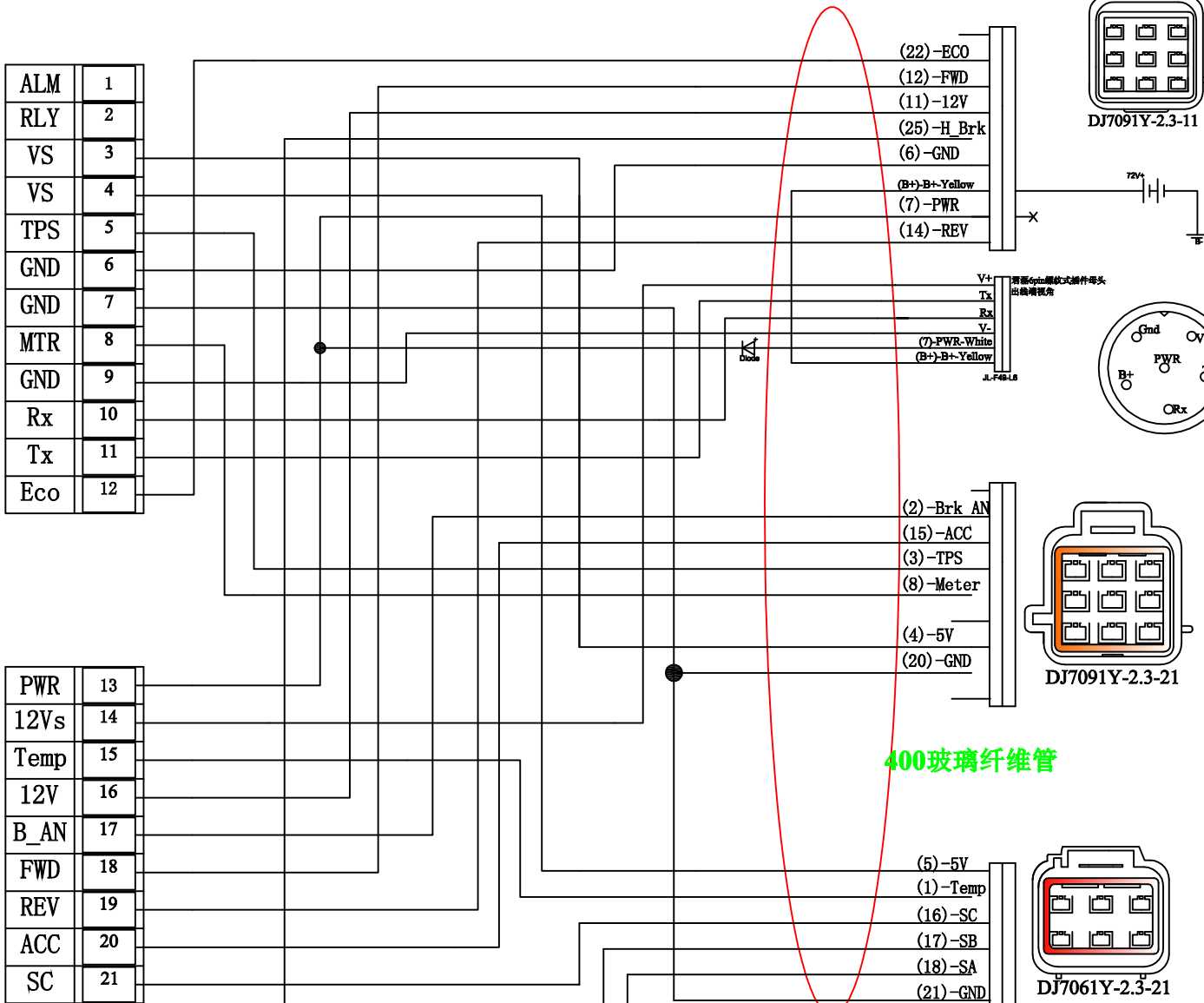
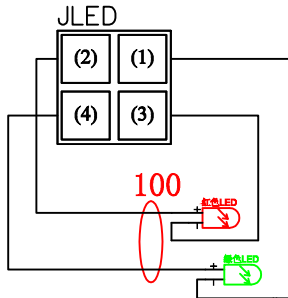
注:
 B_AN=Brake AN=Boost
 B_SW=Brake SW=ACC
 MTR=Meter
 12Vs=12V for series port
 ECO=Low speed
 FOOT=High level brake

1	13
2	14
3	15
4	16
5	17
6	18
7	19
8	20
9	21
10	22
11	23
12	24

Header12x2

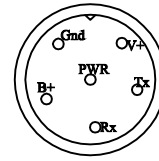
ALM	1
RLY	2
VS	3
VS	4
TPS	5
GND	6
GND	7
MTR	8
GND	9
Rx	10
Tx	11
Eco	12

PWR	13
12Vs	14
Temp	15
12V	16
B_AN	17
FWD	18
REV	19
ACC	20
SC	21
SB	22
SA	23
HBrk	24

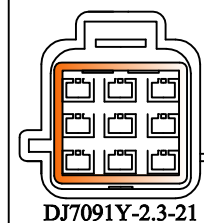


Orange REV-SW (14)	Black GND (6)	White FWD (12)
Red 12V (11)	Yellowish 12V Brake (25)	Blue ECO (22)
Yellow B+ (B+)	Pink PWR (7)	

Only use Speedometer to control power supply of controller

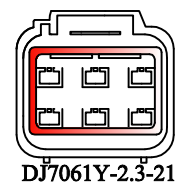


(V+) 12V Red
 (Tx) Sender Green
 (Rx) Receiver Blue
 (Gnd) GND Black
 (7) PWR White
 (B+) 72V+ Yellow



Gray Foot_SW (15)	Green Throttle (3)	
Black GND (20)	D-Gray Meter (8)	
Purple 5V (4)	Brown Brake AN (2)	

400玻璃纤维管



Black GND (21)	Raddle Temp (1)	Purple 5V (5)
Yellow Hall A (18)	D-Green Hall B (17)	D-Blue Hall C (16)

				KLS-S24管及以上		KELLY CONTROLS, LLC	
Mark	Subarea	Signatory	Date	19/2018	KLS MPC		
Design	Fany	Standardize	Fany	modification	Number	Proportion	
Assessor	Dan						
Technics	Qjje H.	Authorize	Steven				
				Sum			